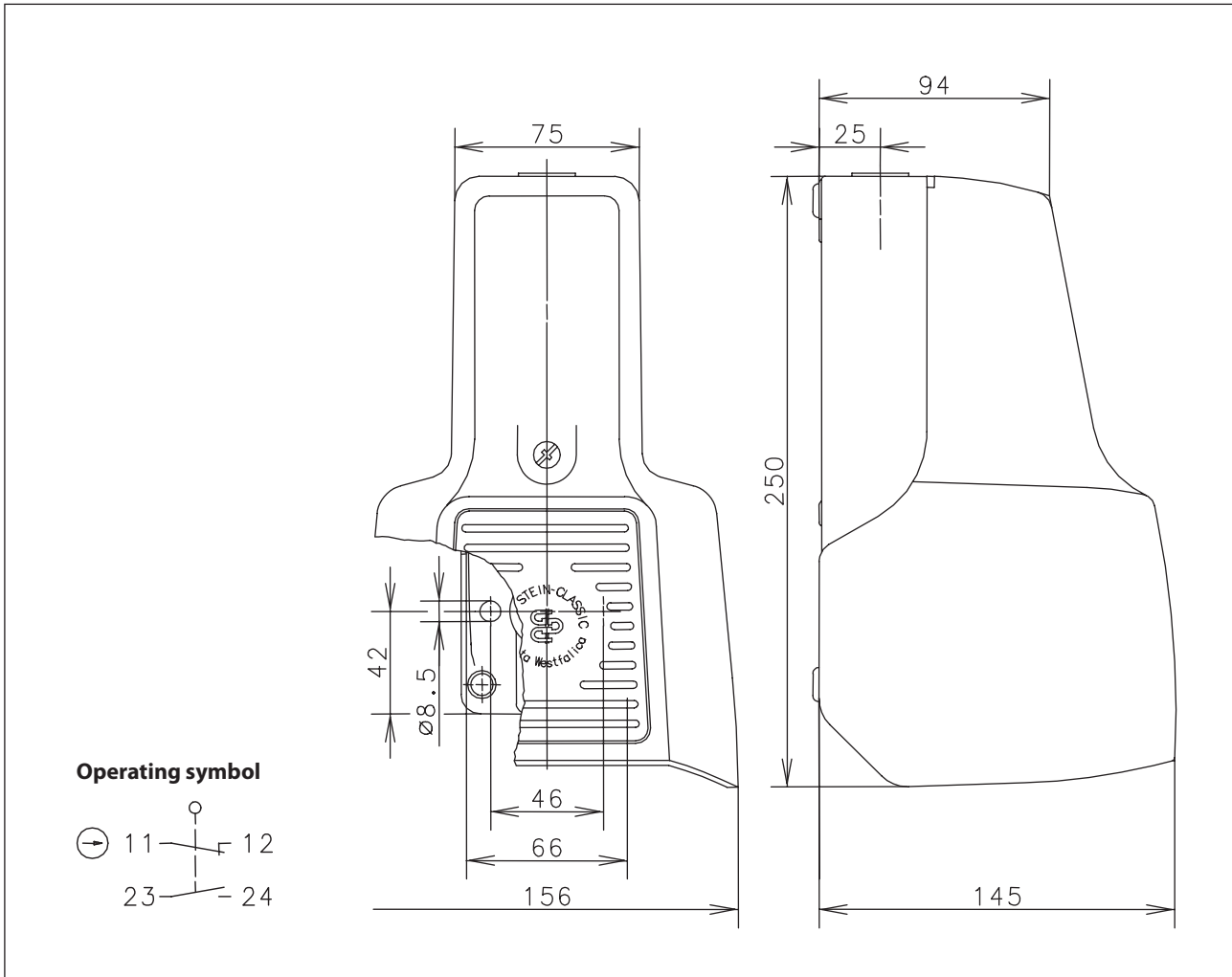


Foot-switch
Series F1

Description **F1-U1Z UN**

Article number **6061600006**



| Electrical data | | |
|---------------------------------|-----------|--|
| Rated insulation voltage | U_i | 400 V AC |
| Conv. thermal current | I_{the} | 10 A |
| Rated operational voltage | U_e | 240 V |
| Utilization category | | AC-15, U_e 240 V / I_e 3 A, U_i 400 V |
| Direct opening action | \ominus | acc. to IEC/EN 60947-5-1, Annex K (pedal stop) |
| Short-circuit protective device | | Fuse 10 A gG |
| Protection class | | I |

| Mechanical Data | |
|--|--|
| Enclosure | AL |
| Protective guard (Accident protection cover UN) | AL |
| Actuator | Foot lever (PA) |
| Ambient air temperature | -30 °C ... +80 °C |
| Contact type | 1 N.C. / 1 N.O. (Zb) |
| Operating force | ≈ 10 N (pedal centre) |
| Mechanical life | 10 x 10 ⁶ switching cycles |
| Switching frequency | ≤ 50/min |
| Assembly | 2 x M8 |
| Connection | Screw connections (M3,5) |
| Number of connections | 4 |
| Protection ground | 2 x M4 |
| Conductor cross-sections | Solid: 0,5 ... 1,5 mm ² Litz wire with ferrules: 0,5 ... 1,5 mm ² |
| Cable entry size | 1 x M20 x 1,5 |
| Weight including protective guard | ≈ 1,5 kg |
| Protection type | IP 65 acc. to IEC/EN 60529 |

| ID for safety engineering | |
|---------------------------|---------------------------------------|
| B10d | 20 x 10 ⁶ switching cycles |

| Standards | |
|-----------|--|
| | DIN EN 60947-5-1 DIN EN ISO 13849-1 |

| EU Conformity | |
|---------------|------------------------------|
| | acc. to directive 2006/42/EC |

| Approvals | |
|-----------|---|
| | DGUV |
| | cCSA _{US} A300 (same polarity) |
| | CCC |

| Notes | |
|---|--|
| Tapped holes not in use must be closed with blind plugs. The degree of protection (IP code) specified applies only to a properly closed accident protection cover and in connection with the appropriate cable glands or blind plugs. | |